



PHOTOMETRIC STANDARD COMPLIANCE



ICAO ANNEX 14, VOLUME I
TYPE C - MEDIUM INTENSITY OBSTACLE LIGHT



CAA-CAP 168
MEDIUM INTENSITY OBSTACLE LIGHT

APPLICATIONS

Suitable for signaling: flares, chimneys, Oil & Gas derricks, cranes, off-shore infrastructures.

KEY FEATURES

- designed and manufactured in Italy by Clampco Sistemi
- resistance to corrosion
- long life source
- easy way for mounting – plug 'n' play connection
- wide range power supply:
24, 48 Vdc, 110-230 Vac

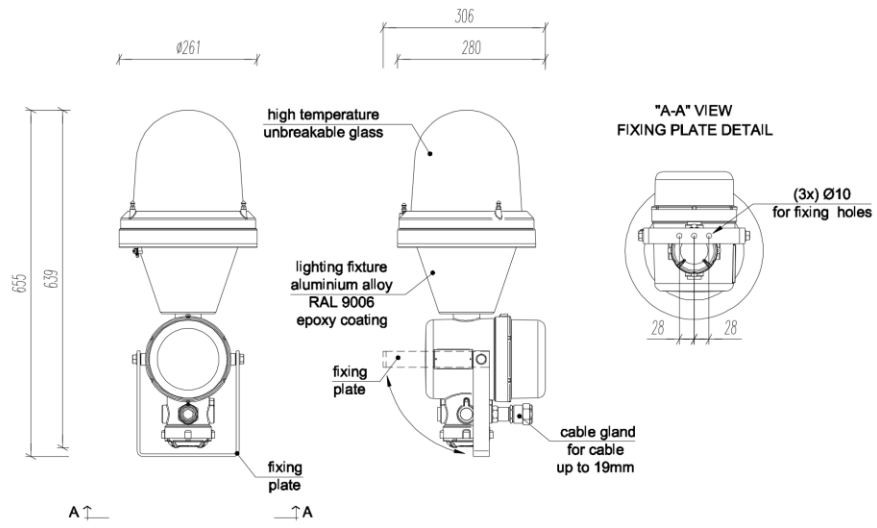
SPECIFICATIONS

	MIOLC-E1_24D	MIOLC-E1_48D	MIOLC-E1_23D
Order Code			
Typical use		Night time	
Light source		LED	
Type of beacon		Double steady	
Colour		Red according to CIE Chromaticity Boundary	
Light Intensity		>2000 cd	
Horizontal coverage		360°	
Alarm Management		Alarm remotization as dry contact	
Input voltage	24 Vdc	40 - 54 Vdc	110 - 230 Vac (50-60 Hz)
Peak power consumption	25 + 25 W*	25 + 25 W*	28 + 28 W*
Average life		100 000 hours	
Temperature range		from -20 C to +60 °C	
Protection degree		IP66	
Material of the body		Die cast aluminum alloy copper free	
Material of the transparent cap		Glass	
Connection		Barrier cable gland M20 nickel plated suitable for cable up to 19mm	
Weight		15 Kg	
Mounting Hardware		Stainless steel anchor basement.	
Fixing		3x Stainless steel Hexagon head screws M10x40	
Explosion proof protection		II 2G Exd IIC T4 Gb	
ATEX		INERIS 01 ATEX 0054X and INERIS 08 ATEX 0018X	
IECEX		INE 13.0075X and INE 13.0060X	

* Worst case consumption if for a minor fault both main and stand-by lights are working

OPTIONS – SPARE PART

MIOLC-E1_xxDP	Stainless steel radiation shield Integrated photoelectric switch 20-3000 Lux (adj.) Hawke stainless steel cable glands
---------------	--



FIXING EXAMPLES

