

PHOTOMETRIC STANDARD COMPLIANCE



ICAO ANNEX 14, VOLUME I  
**TYPE A** - LOW INTENSITY OBSTACLE LIGHT  
 CAP 168 – LOW INTENSITY GROUP A



CAA-CAP 168  
**GROUP A** - LOW INTENSITY OBSTACLE  
 LIGHT

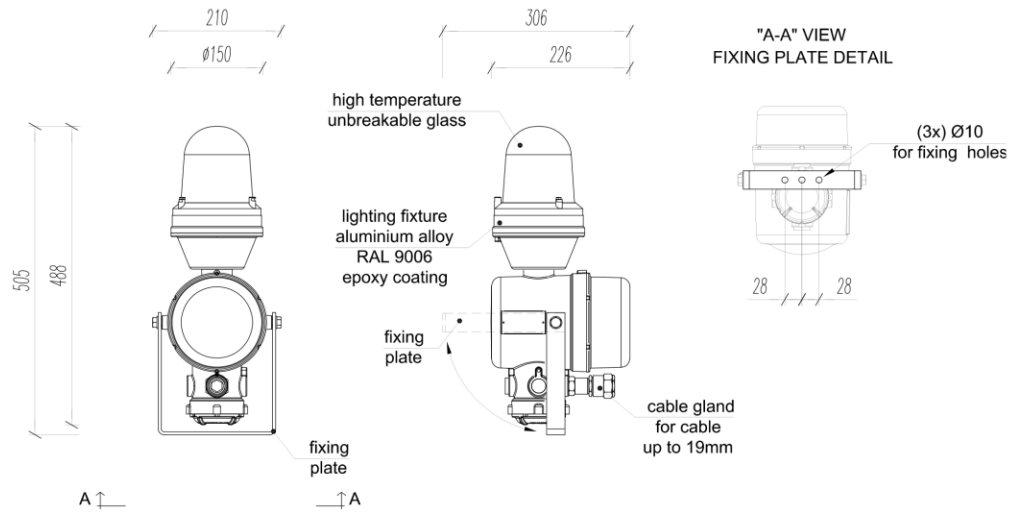


KEY FEATURES & BENEFITS

- designed and manufactured in Italy by Clampco Sistemi
- easy way for mounting – plug 'n' play connection
- innovative single LED layer for a double light
- extended power supply range:
  - 10 to 60 Vdc
  - 110-230 Vac
- suitable for signaling:
  - flares
  - chimneys
  - oil & Gas derricks
  - cranes
  - off shore infrastructures

SPECIFICATIONS

	LIOLA-E1_22D	LIOLA-E1_23D
Order Code		
Typical use	Night time	
Light source	LED	
Type of beacon	Double (main + stand-by) steady	
Alarm Management	Alarm remofization with dry contact	
Colour	Red according to CIE Chromaticity Boundary	
Light Intensity	>10 cd	
Horizontal coverage	360°	
Input voltage	10 ÷ 60 Vdc	110 ÷ 230 Vac
Power consumption	2.6 + 2.6 W*	3 + 3 W*
Average life	100 000 hours	
Temperature range	-20 to +60 °C	
Protection degree	IP66	
Material of the body	Die cast aluminum alloy copper free	
Material of the transparent cap	Glass	
Connection	Barrier cable gland M20 nickel plated suitable for cable up to 19 mm	
Weight	6.5 Kg	
Mounting hardware	Stainless steel anchor basement	
Fixing	3x Stainless steel Hexagon head screws M10x40	
Explosion proof protection	II 2G Exd IIC T4 Gb	
ATEX	INERIS 01 ATEX 0054X and INERIS 08 ATEX 0018X	
IECEX	INE 13.0075X and INE 13.0060X	
Optional code	SM00334AS00 - Stainless steel radiation shield	



FIXING EXAMPLES

