

PHOTOMETRIC STANDARD COMPLIANCE



ICAO ANNEX 14, VOLUME I
TYPE B - LOW INTENSITY OBSTACLE LIGHT



FAA AC 150/5345-43J
TYPE L-810



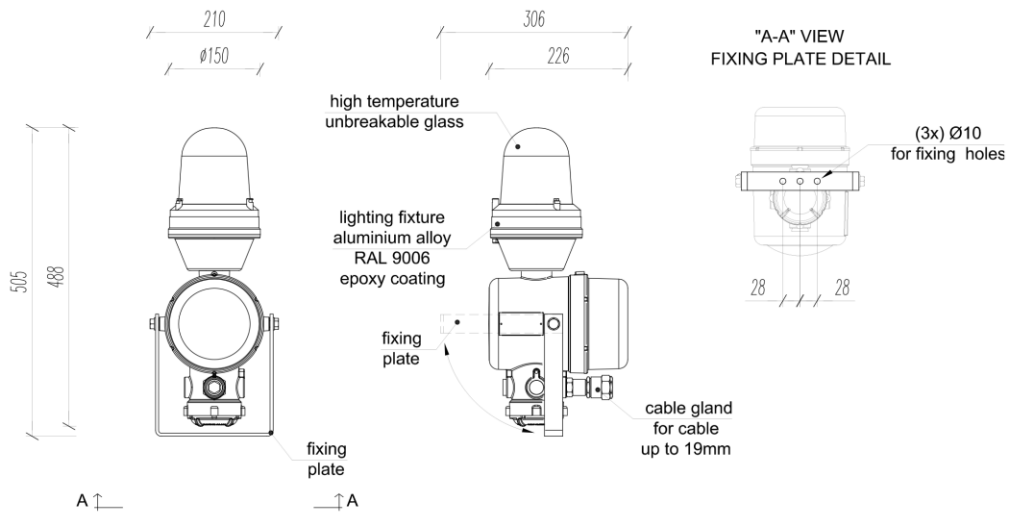
KEY FEATURES & BENEFITS

- designed and manufactured in Italy by Clampco Sistemi
- easy way for mounting – plug 'n' play connection
- long life light source
- extended power supply range:
 - 10 to 60 Vdc
 - 110-230 Vac
- suitable for signaling:
 - flares
 - chimneys
 - oil & Gas derricks
 - cranes
 - off shore infrastructures

SPECIFICATIONS

	LIOLB-E1_22S	LIOLB-E1_23S
Order Code	LIOLB-E1_22S	LIOLB-E1_23S
Typical use		Night time
Light source		LED
Type of beacon		Steady
Alarm Management		Alarm remotization with dry contact
Colour		Red according to CIE Chromaticity Boundary
Light Intensity		>32.5 cd
Horizontal coverage		360°
Input voltage	10 ÷ 60 Vdc	110 ÷ 230 Vac
Power consumption	4 W	5.5 W
Average life		100 000 hours
Temperature range		-20 to +60 °C
Protection degree		IP66
Material of the body		Die cast aluminum alloy copper free
Material of the transparent cap		Glass
Connection		Barrier cable gland M20 nickel plated suitable for cable up to 19 mm
Weight		6.5 Kg
Mounting hardware		Stainless steel anchor basement
Fixing		3x Stainless steel Hexagon head screws M10x40
Explosion proof protection		II 2G Exd IIC T4 Gb
ATEX		INERIS 01 ATEX 0054X and INERIS 08 ATEX 0018X
IECEx		INE 13.0075X and INE 13.0060X
Optional code		SM00334AS00 - Stainless steel radiation shield

TECHNICAL DRAWINGS



FIXING EXAMPLES

