



#### PHOTOMETRIC STANDARD COMPLIANCE



ICAO ANNEX 14, VOLUME I  
TYPE B - MEDIUM INTENSITY OBSTACLE LIGHT



FAA AC 150/5345-43J  
TYPE L-864

#### APPLICATIONS

Suitable for signaling: flares, chimneys, Oil & Gas derricks, cranes, off-shore infrastructures.

#### KEY FEATURES

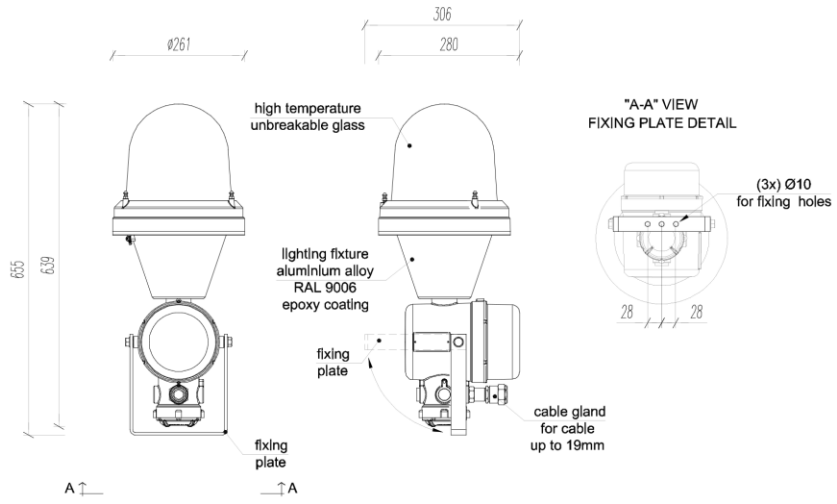
- designed and manufactured in Italy by Clampco Sistemi
- fully compliant with former SEGsxxP2K\_EX3 model
- resistance to corrosion
- long life source
- easy way for mounting – plug 'n' play connection
- wide range power supply:  
24, 48 Vdc, 110-230 Vac

#### SPECIFICATIONS

	<b>MIOLB-E1_24S</b>	<b>MIOLB-E1_48S</b>	<b>MIOLB-E1_23S</b>
Order Code	SEGS24P2K_EX3	SEGS48P2K_EX3	SEGS23P2K_EX3
Lamp ID			
Typical use		Night time	
Light source		LED	
Type of beacon		Single flashing	
Colour		Red according to CIE Chromaticity Boundary	
Light Intensity		>2000 cd	
Flashing rate		20-40 fpm (flash per minutes)	
Horizontal coverage		360°	
Alarm Management		Alarm remotization as dry contact	
Input voltage	24 Vdc	48 - 53 Vdc	110 – 230 Vac (50-60 Hz)
Average power consumption		11 watt @ 25fpm τ = 500 ms	
Peak power consumption	54 W	54 W	55 W
Average life		100 000 hours	
Temperature range		from -20 °C to +60 °C	
Protection degree		IP66	
Material of the body		Die cast aluminum alloy copper free	
Material of the transparent cap		Glass	
Connection		Barrier cable gland M20 nickel plated suitable for cable up to 19mm	
Weight		15 Kg	
Mounting Hardware		Stainless steel anchor basement.	
Fixing		3x Stainless steel Hexagon head screws M10x40	
Explosion proof protection		II 2G Exd IIC T4 Gb	
ATEX		INERIS 01 ATEX 0054X and INERIS 08 ATEX 0018X	
IECEx		INE 13.0075X and INE 13.0060X	

#### OPTIONS – SPARE PART

	Stainless steel radiation shield
MIOLB-E1_xxSP	Integrated photoelectric switch 20-3000 Lux (adj.) (SEGsxxP2K_SEI_EX3 compliant)
	Hawke stainless steel cable glands



FIXING EXAMPLES

